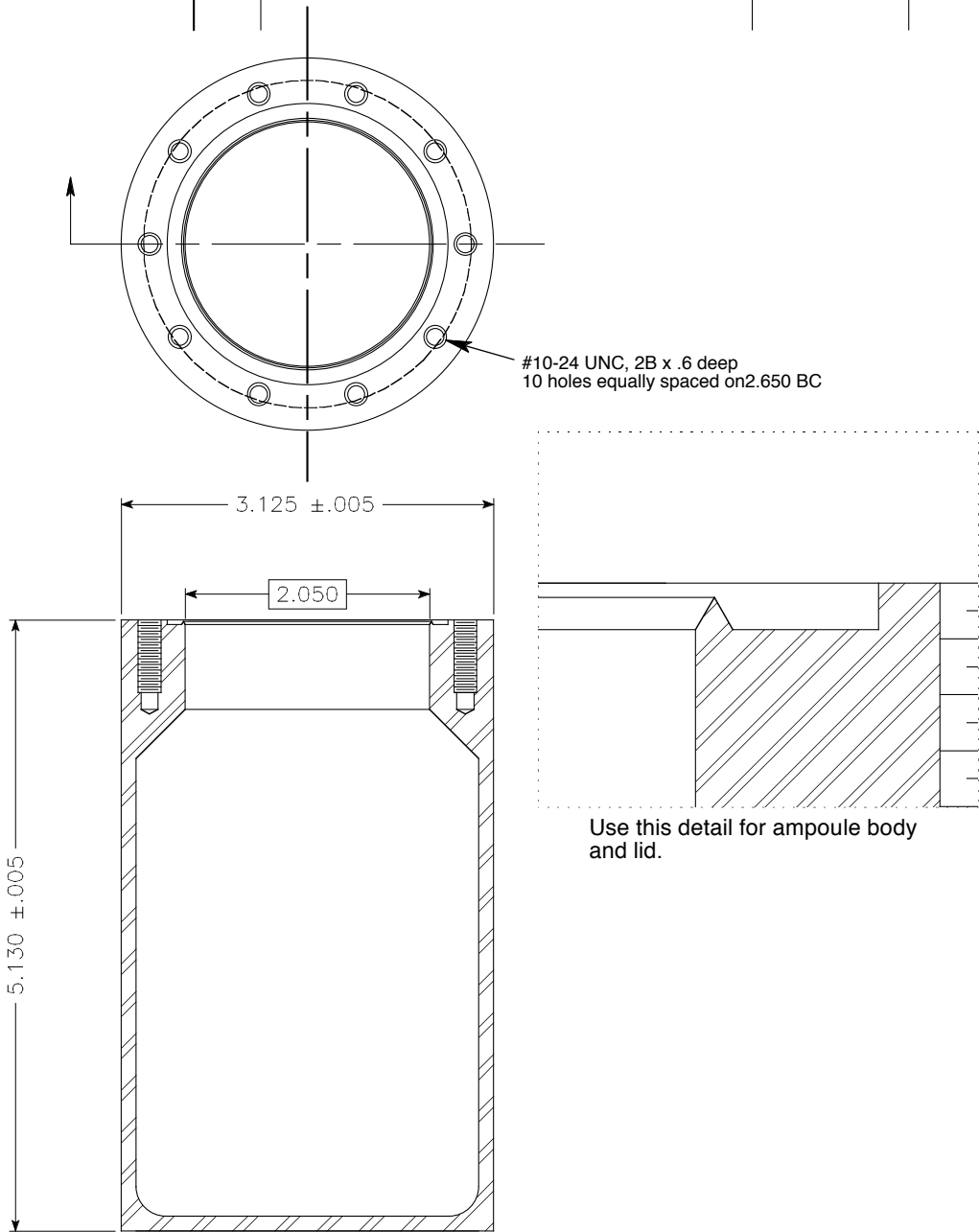


REVISIONS			
REV	DESCRIPTION	DATE	APPROVED



MATERIAL	APPROVALS	DATE
FINISH	DWN	10-15-96
APPLICATION	CHECKED	
	ME	
	EE	
	QA	

**Bostec Engineering, Inc.**  
P.O. Box 3472, Palos Verdes, CA 90274

TITLE	500cc Ampoule Body		
-------	--------------------	--	--

Unless otherwise noted, dimensions are in inches. Remove all burrs and break sharp edges. Tolerances are:  
.xx±.005  
.xxx±.005  
.xxxx±.0005  
Angles: ±2°

This drawing is the property of Bostec Engineering and may not be reproduced by any means without written permission from Bostec Engineering, Inc. H-Seals and H-Seal gland technology are covered by patents 5,445,393 and 5,433,454 and other patents that are pending.

A	DWG. NO.	2020-001-000	REV
DO NOT SCALE DRAWING		SHEET	OF